

# 1-110 Quarter-Turn Pr20.1 L30-60

Tool operable, Optional pre-assembly

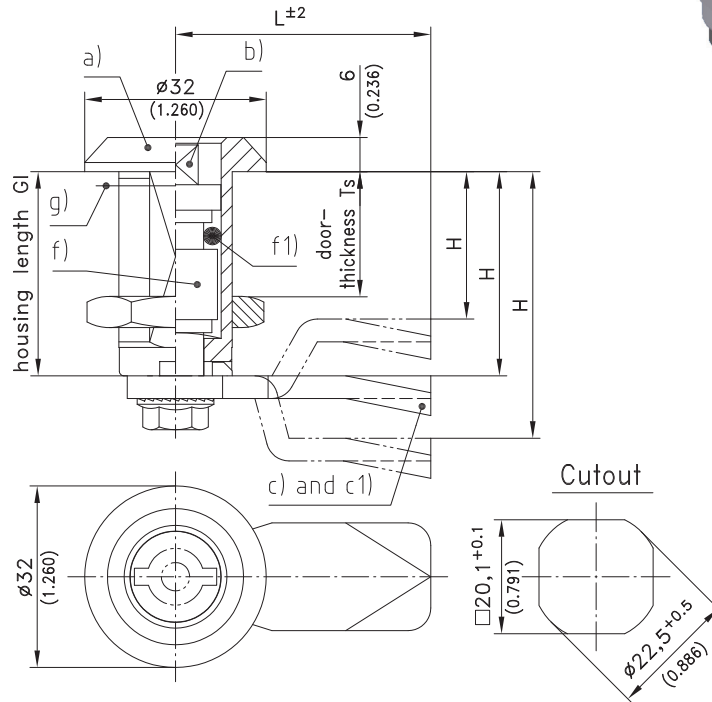
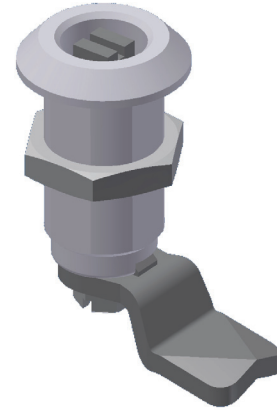


## Product Notes:

- RH and LH application
- Components can be pre-assembled by DIRAK upon request
- With inserts, the adapter is optional. With knobs the adapter is necessary.
- Stainless steel - see Product System 7-082

## Material:

- **Housing:** Zinc Die, Chrome Plated or Black
- **Nuts:** Steel, Zinc Plated
- **Grounding nut and adapter:** Zinc Die, Untreated



a)	GL	TS max.	Housing	Zinc Die Chrome Plated	Zinc Die Black	Adapter f) with Screw	See Page
	30	20	with nut	200-9011	200-9013	200-9031	
	30	20	with grounding nut	200-9012	200-9014	200-9031	
	36	26	with nut	200-9015	200-9017	200-9032	
	36	26	with grounding nut	200-9016	200-9018	200-9032	
	40	30	with nut	200-9019	200-9021	200-9033	
	40	30	with grounding nut	200-9020	200-9022	200-9033	
	50	40	with nut	200-9023	200-9025	200-9034	
	50	40	with grounding nut	200-9024	200-9026	200-9034	
	60	50	with nut	200-9027	200-9029	200-9035	
	60	50	with grounding nut	200-9028	200-9030	200-9035	
b) Inserts							01.98, 01.99
c) Cams							01.101
c1) Special cams							01.102, 01.104, 01.48
			Assembling cam 90° to handle without O-ring	200-0019	200-0019	200-0019	
			Assembling cam 90° to handle with O-ring	200-0033	200-0033	200-0033	
d) Keys							
e) Other accessories							01.105, 01.106, 01.107
<b>Optional:</b>							
Water and dust tight according to IP65 by:							
f1) O-ring 9x3.5mm				839-3771.00-00935	839-3771.00-00935	839-3771.00-00935	
g) Flat external seal				200-0901	200-0901	200-0901	
			Assembling adapter without O-ring	200-0003	200-0003	200-0003	
			Assembling adapter with O-ring	200-0004	200-0004	200-0004	